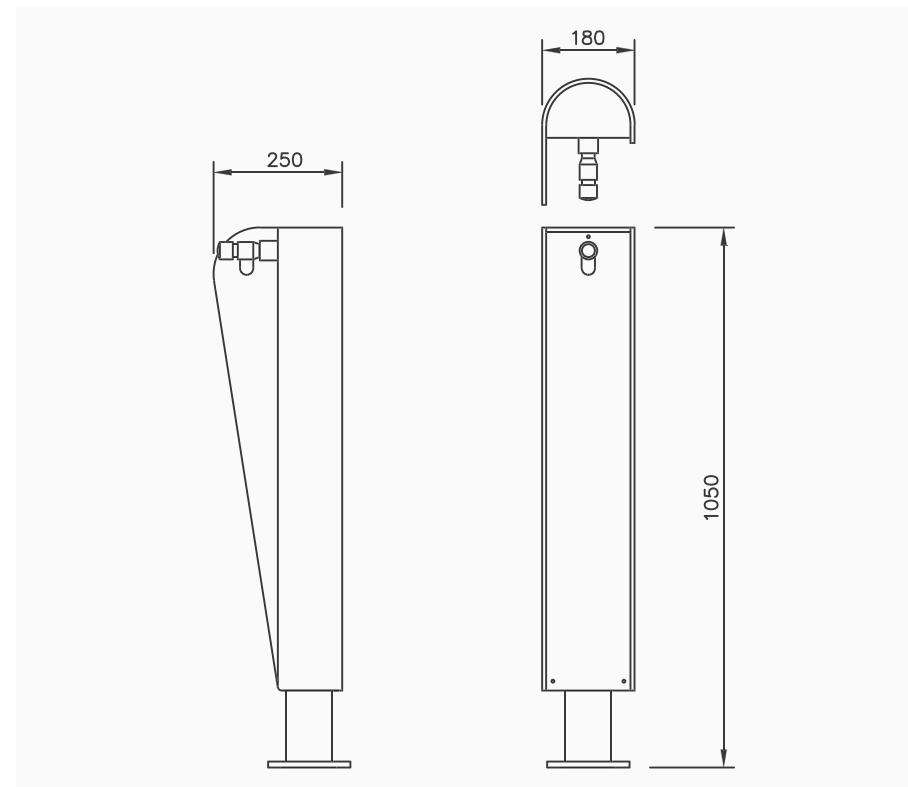


# Refill Fountain: BF200

The sleek new BF200 heavy duty steel water bottle filler is the no-brainer solution for today's bottled-water-consuming lifestyle. It gives the user real, practical access to water to refill their drink bottle without the usual struggle. Easy, convenient and with optional filter, the BF200 helps to reduce the production of plastic drink containers by encouraging reuse.

- Dimensions**
- Total Height: 1050mm
  - Width: 180mm x 250 mm
  - 8mm steel one piece heavy duty construction
- Finishes**
- Hot spray galvanised, primed and powder coated.
  - Available in many different colours
  - Stainless Steel insert and Filler nozzle
  - Vandal resistant 316 security screws
- Plumbing**
- Carbon water filter
  - 1/2" inlet
  - Custom S/S filler nozzle
- Fixing Options**
- Surface mounted with Dyna-bolts
  - Fixing cage
  - In-ground
- Options**
- Available without Carbon Filter
  - Additional water catchment tray
  - Tap and Dog Bowl attachment
  - Maintenance tap
  - Logo embellishment



[Click to view the latest BF200 projects online](#)



Get the latest specification news on



[www.urbanff.com.au](http://www.urbanff.com.au)

07 3382 7372

[info@urbanff.com.au](mailto:info@urbanff.com.au)

*Urban*  
fountains + furniture